

AF-2104
Architectural Remote Station

Version 0.01

Date 04/25/2011

INTRODUCTION

The AF-2104 is a 4 scene, wall mount remote control unit intended for use with the Lightronics AR-1202 Architectural dimmer. The unit fits in a standard double gang wall switch box.

All power and data connections are via a 4 wire communication bus between itself and the AR-1202 dimmer.

In addition to manual fader control of 4 scenes, pushbutton switches are provided to activate a blackout and full on selection. LED indicators provide status feedback.

Multiple units may be chained together to provide dimmer control from various locations. The AF-2104 may also be used with other Lightronics architectural remote stations.

INSTALLATION

CONNECTIONS

The AF-2104 connects to the AR-1202 dimmer via a shielded 4 conductor cable arranged as 2 twisted pairs. A data grade, low capacitance cable (less than 25 pf per foot) is required to assure trouble free data transmission to and from the AF-2104. One pair connects to the DATA – and DATA + signals. The other pair carries the power (REMOTE V+) and COMMON. The cable shield should be connected to the COMMON.

A connection diagram is provided at the end of this manual.

CONNECTING A SINGLE UNIT: Connect the 4 cable wires to the screw down terminals on the back of the unit. Connect the cable shield to the REMOTE COMMON pin. The other end of the cable will connect to a terminal strip provided in the AR-1202 dimmer unit. See the AR-1202 owners manual for exact connection details.

CONNECTING MULTIPLE UNITS: Follow the instructions above for a single unit for the first AF-2104. Connect the corresponding connector pins of the second unit to those of the first unit.

MULTIPLE UNITS OF DIFERENT TYPES: The AF-2104 may be connected together with other Lightronics smart remotes. These remotes all have the same connection scheme. Connect the AF-2104 to the other remotes by connecting like signal names together (REMOTE COMMON to REMOTE COMMON etc.).

SCENE ASSIGNMENTS

AF-2104s operate by fading scenes 51 thru 54 in the AR-1202. The left hand end fader (#1) corresponds to scene 51. If multiple AF-2104 units are used together then they will all operate scenes 51 - 54.

It is possible to have an AF-2104 operate other scenes but the unit must be ordered with special programming.

OPERATION

No setup or turn on procedure is needed. When the AR-1202 unit is powered on, the AF-2104 will also be activated. It will activate in the "All Scenes OFF" condition.

The scenes activated by the AF-2104 must be created and stored in the AR-1202 prior to activation. See the AR-1202 owners manual for detailed instructions for creating and storing scenes. Scene numbers proceed from left to right at the AF-2104.

The AF-2104 faders operate in a pile-on mode on a "greatest of" basis. This means that the intensity of a dimmer channel will be at the intensity of the scene calling for the highest intensity level.

The OFF button causes all four scenes to be blacked out (turned off).

MAINTENANCE AND REPAIR

TROUBLESHOOTING

Check the cable and its connections.

If the unit is being used with an AR-1202 system - ensure that one (and only one) of the AR-1202 dimmer(s) in the system is set to UNIT ADDRESS 00.

AF-2104 ARCHITECTURAL REMOTE STATION

Version 0.01

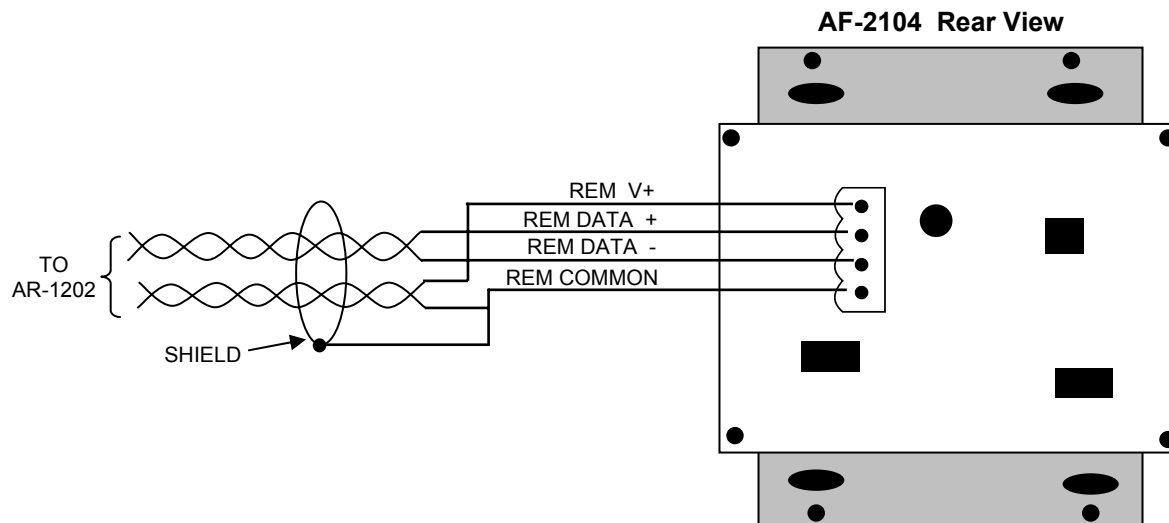
04/25/2011

OWNER MAINTENANCE

There are no user servicable parts in the AF-2104. Internal service on the unit by other than Lightronics authorized agents will void the warranty.

OPERATING AND MAINTENANCE ASSISTANCE

If service is required, contact the dealer from whom you purchased the unit or contact the Lightronics Service Dept..

AF-2104 CONNECTIONS



LIGHTRONICS INC. **WARRANTY** LIGHTRONICS INC.

All Lightronics products are warranted for a period of TWO/FIVE YEARS from the date of purchase against defects in materials and workmanship.

This warranty is subject to the following restrictions and conditions:

- A) If service is required, you may be asked to provide proof of purchase from an authorized Lightronics dealer.
- B) The FIVE YEAR WARRANTY is only valid if the warranty card is returned to Lightronics accompanied with a copy of the original receipt of purchase within 30 DAYS of the purchase date, if not then the TWO YEAR WARRANTY applies. Warranty is valid only for the original purchaser of the unit.
- C) This warranty does not apply to damage resulting from abuse, misuse, accidents, shipping, and repairs or modifications by anyone other than an authorized Lightronics service representative.
- D) This warranty is void if the serial number is removed, altered or defaced.
- E) This warranty does not cover loss or damage, direct or indirect arising from the use or inability to use this product.
- F) Lightronics reserves the right to make any changes, modifications, or updates as deemed appropriate by Lightronics to products returned for service. Such changes may be made without prior notification to the user and without incurring any responsibility or liability for modifications or changes to equipment previously supplied. Lightronics is not responsible for supplying new equipment in accordance with any earlier specifications.
- G) This warranty is the only warranty either expressed, implied, or statutory, upon which the equipment is purchased. No representatives, dealers or any of their agents are authorized to make any warranties, guarantees, or representations other than expressly stated herein.
- H) This warranty does not cover the cost of shipping products to or from Lightronics for service.
- I) Lightronics Inc. reserves the right to make changes as deemed necessary to this warranty without prior notification.