

**FEATURES AND SPECIFICATIONS**

LEDS: 12 10 Watt LEDs (RGBW 4 in 1)  
 Beam angle: 25 °  
 Control system: DMX-512  
 DMX channels: 4/5/7  
 DMX connectors: 3 pin XLR  
 Voltage: 100 - 250 VAC / 50/60Hz  
 Max power consumption: 150 Watts  
 Size: 11 5/8"D x 11 5/8"W x 11 1/4"H  
 Body material: Cast Aluminum  
 Body color: black  
 Weight: 11 lbs

**DESCRIPTION**

The FXLD1012C4I is a PAR style RGBW LED lighting fixture. It is suitable for stage, disco, night club, and other artistic applications. It has several stand alone control modes and can operate via a DMX-512 external signal. A double yoke enables it to be operated in several positions.

**INSTALLATION**


**LOCATION**

The FXLD1012C4I is rated IP20 and is intended for indoor use only.

Locate the unit in a well ventilated area away from moisture and heat. Holes are provided on the yoke to install a lighting bar pipe clamp. A safety cable should also be used.

**POWER CONNECTIONS**

The FXLD1012C4I has a line cord for connection to a 120 VAC, 15 Amp, 60Hz, grounded service.

	<p><b>CAUTION</b> <b>RISK OF ELECTRIC SHOCK</b></p>
---	---

The safety ground pin on the power cord must be used.

**DMX CONNECTIONS**

A system using DMX control should be connected as a chain of devices. In other words the control signal cable should proceed from the controller to the first receiving device and then to others in a continuous "daisy chain" fashion.



The fixture has a DMX IN and a DMX OUT connector to be used to connect the chain. The control cable should NOT be split into a multiple run star arrangement with a cable running from the controller directly to each receiving device pack.

**DMX CONNECTOR PIN ASSIGNMENTS**

There are two different connectors which can be used for DMX control. They are both XLR type connectors. Some units use 3 pin connectors. Others use 5 pin connectors. The FXLD1012C4I receives a DMX signal on the 3 pin MALE connector on the back of the unit. The 3 pin FEMALE connector is used to connect the next DMX device on the control chain. If your console uses a 5 pin connector you can make up an adapter cable to accommodate this. The table below shows the pin assignments for BOTH the 3 pin and 5 pin connectors.

PIN #	SIGNAL NAME
1	DMX COMMON
2	DMX DATA -
3	DMX DATA +
4	NOT USED
5	NOT USED

**DMX TERMINATION**

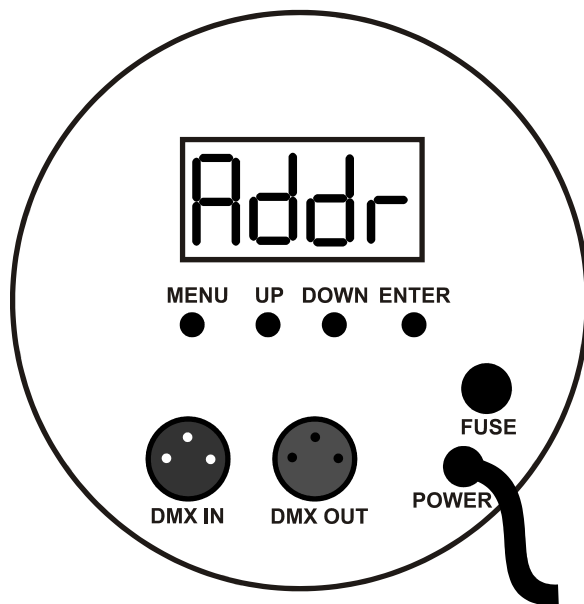
A DMX chain should be terminated at the last receiving device on the chain. This is done by

installing a commonly available 1/4 Watt, 120 Ohm resistor across the DATA - and DATA + wires at the last device. If you have only a few fixtures very close together and a very short run to the controller then you may be able to operate without the terminator.

## OPERATION

Operating options are set using the LCD display and 4 buttons (MENU, UP, DOWN, ENTER) on the rear of the fixture.

### FXLD1012C4I REAR PANEL VIEW



Push MENU to access the operating options. Then use UP and DOWN to scroll through the available choices. When you reach the option you want to set or change - push ENTER. Now you can view the current setting for the option and/or change it. Push ENTER to save your changes. See the MENU NAVIGATION diagram for additional details.

There are nine main operation modes: DMX, Manual Color (4), Strobe, Color Fade, Auto Sequence, and Auto Run.

### DMX OPERATION

Use the DMX512 menu to set the starting address of the unit. You can set the starting address of the unit with the UP and DOWN buttons.

The fixture can use either 4, 5 or 7 DMX channels. Use the **CH - -** menu to select the mode. **A001** is 4 channels, **P001** is 5 channels, and **F001** is 7 channels

The tables DMX VALUES AND FUNCTIONS give the details for using 4, 5, and 7 channel operation.

### MANUAL COLOR OPERATION

Use the **rL - -**, **gL - -**, **bL - -**, and/or **EL - -** menus to operate individual colors. The red, green, and blue and white levels may be combined to produce additional colors. The range is 000 to 100. 000 is off and 100 is brightest.

### STROBE (FLAS)

Strobes the current color, or all colors if none are already on. Use the **FLAS** control menu to set the speed and activate the option. The range is from 000 to 100. 000 is off and 100 is fastest.

### COLOR FADE

The Color Fade mode cycles smoothly through a sequence of colors. Use the **FADE** menu to set the speed and activate the option. The range is from 00 to 255. 255 is fastest.

### AUTO SEQUENCE

The Auto Sequence mode switches through a sequence of colors. Use the **ASC** - menu to set the sequence speed and activate the option. The range is from 000 to 100. 000 is off and 100 is fastest.

### AUTO RUN

The Auto Run mode causes the unit to cycle through various colors and effects. Use the **Auto** menu to control the setting. Values 000 - 049 control the speed. Values 50 - 100 are for sound sync via an internal microphone.

## MAINTENANCE AND REPAIR

### TROUBLESHOOTING

Check that you have power applied to the unit.  
Check the fuse.  
Check the DMX control cable.  
Check the addresses of the unit and the controller.

**REPAIR**

The only FXLD1012C4I user serviceable part is a externally accessible fuse.

**DISCONNECT THE UNIT FROM POWER BEFORE CHECKING OR REPLACING THE FUSE.**

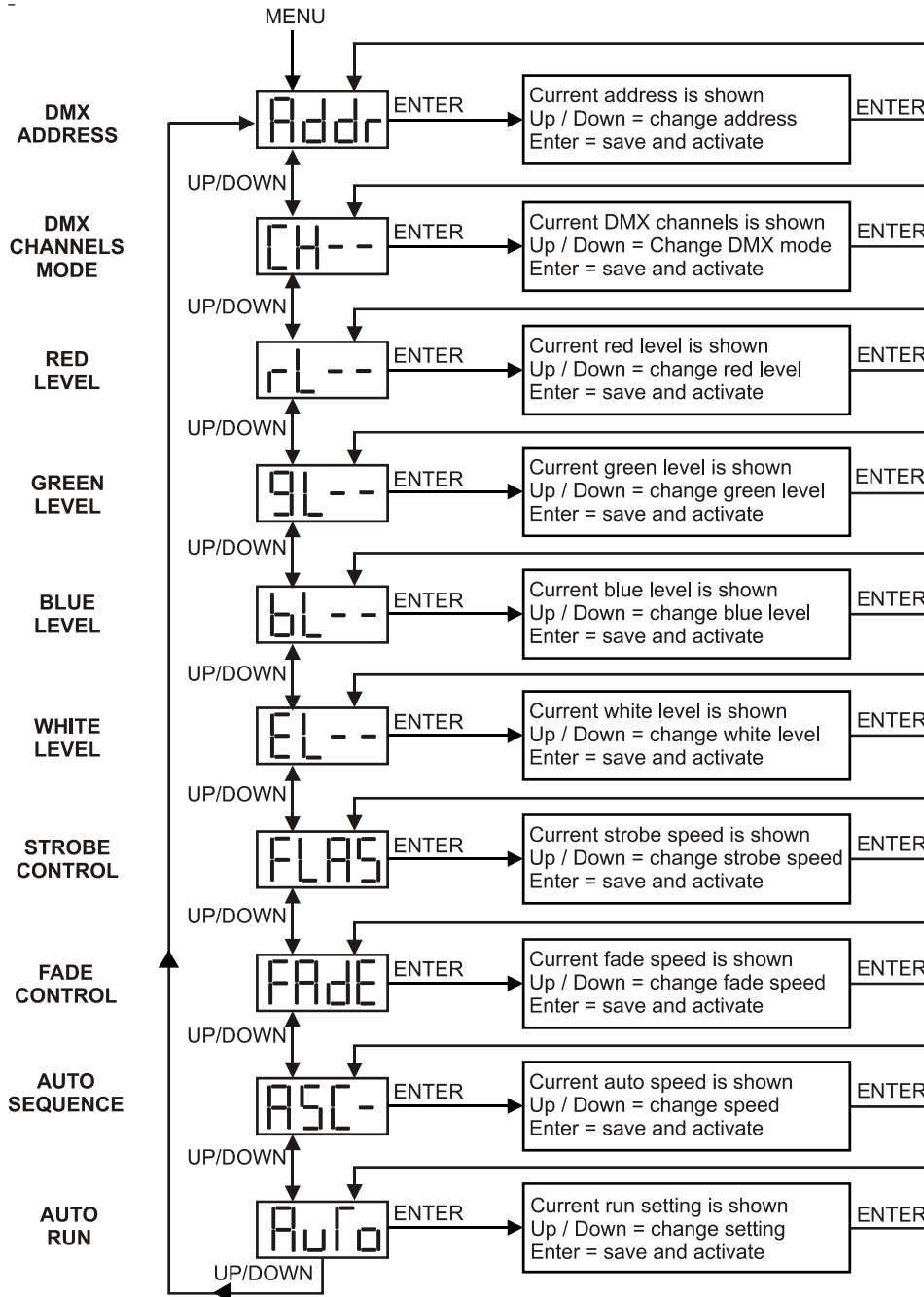
Replace the fuse **ONLY** with a 5mm x 20mm 2.0 Amp, 250VAC, fast blow fuse.

Internal service on the unit by other than Lightronics authorized agents will void the warranty. If service is required, contact the dealer from whom you purchased the item, or contact the Lightronics, Service Department, 509 Central Drive, Virginia Beach, VA 23454. Tel: 757 486 3588.

**PHOTOMETRIC CHARACTERISTICS**

Distance (ft)	Illuminance (Lux)	Beam Diam. (ft)
10	917	6
20	230	12
30	112	17

MENU NAVIGATION



**DMX VALUES AND FUNCTIONS**
**4 CHANNEL MODE (MODE A)**

CHANNEL NO.	FUNCTION
1	0 - 255 Red Level
2	0 - 255 Green Level
3	0 - 255 Blue Level
4	0 - 255 White Level

**5 CHANNEL MODE (MODE P)**

CHANNEL NO.	FUNCTION
1 ↓	0 - 152 RGB Dimmer Master
	153 - 196 Strobe (slow - fast)
	197 - 242 Auto Strobe (slow - fast)
	243 - 255 RGB Dimmer Master
2	0 - 255 Red Level
3	0 - 255 Green Level
4	0 - 255 Blue Level
5	0 - 255 White Level

**7 CHANNEL MODE (MODE F)**

CHANNEL NO.	FUNCTION
1	0 - 255 Red Level
2	0 - 255 Green Level
3	0 - 255 Blue Level
4	0 - 255 White Level
5 ↓	0 - 1 No Strobe
	2 - 196 Strobe (slow - fast)
	197 - 255 Auto Strobe (slow - fast)
6 ↓	0 - 1 No Function
	2 - 19 Color Fade (slow - fast)
	20 - 39 Color Sequence (slow - fast)
	40 - 59 Color Pattern (slow - fast)
	60 - 79 Yellow
	80 - 99 Purple
	100 - 119 Light Green
	120 - 139 Orange
	140 - 159 Red On/Off (10 sec.)
	160 - 179 Green On/Off (10 sec.)
	180 - 199 Blue On/Off (10 sec.)
	200 - 219 Yellow On/Off (10 sec.)
	220 - 229 Cyan On/Off (10 sec.)
	230 - 249 White On/Off (10 sec.)
250 - 255 All On	
7	0 - 255 Dimmer (All Off - All On)



# WARRANTY

This product is warranted for a period of TWO YEARS from the date of purchase against defects in materials and workmanship.

---

This warranty is subject to the following restrictions and conditions:

- A) If service is required, you may be asked to provide proof of purchase from an authorized Lightronics dealer.
- B) This warranty is valid only for the original purchaser of the unit.
- C) This warranty does not apply to damage resulting from abuse, misuse, accidents, shipping, and repairs or modifications by anyone other than an authorized Lightronics service representative.
- D) This warranty is void if the serial number is removed, altered or defaced.
- E) This warranty does not cover loss or damage, direct or indirect arising from the use or inability to use this product.
- F) Lightronics reserves the right to make any changes, modifications, or updates as deemed appropriate by Lightronics to products returned for service. Such changes may be made without prior notification to the user and without incurring any responsibility or liability for modifications or changes to equipment previously supplied. Lightronics is not responsible for supplying new equipment in accordance with any earlier specifications.
- G) This warranty is the only warranty either expressed, implied, or statutory, upon which the equipment is purchased. No representatives, dealers or any of their agents are authorized to make any warranties, guarantees, or representations other than expressly stated herein.
- H) This warranty does not cover the cost of shipping products to or from Lightronics for service.
- I) Lightronics Inc. reserves the right to make changes as deemed necessary to this warranty without prior notification.