

FEATURES AND SPECIFICATIONS

LEDs: 18, 6W each (Warm White, Cool White, 2in1)
 Beam angle: 25° or 45°
 Control system: DMX512 + Stand Alone Modes
 DMX channels: 1/2/3/4/5
 DMX connectors: 3 pin XLR and 5 pin XLR
 Voltage: 120-240 VAC 50/60Hz
 Max power consumption: 120 Watts
 Refresh Rate: > 3000Hz
 Color Temp.: 3200K - 7000K
 Cooling: Internal Fan
 Body material: Die Cast Aluminum
 Body color: Black
 Size: 9.9"L x 9.9"W x 9.1"H (without brackets)
 Weight: 10 lbs. (4.5kg)

DESCRIPTION

The FXLD618FRP214 is a variable white LED lighting fixture. It is suitable for stage, disco, night club, and other artistic applications. It has several stand-alone control modes and can operate via a DMX512 external signal.

A double yoke enables the fixture to be operated in several positions.

INSTALLATION

LOCATION

The FXLD618FRP214 is rated IP20 and is intended for INDOOR USE ONLY.

Locate the unit in a well ventilated area away from moisture and heat. Keep the vent holes clear. Holes are provided on the yokes to install a lighting bar pipe clamp. Use a safety cable when hanging the fixture.

POWER CONNECTIONS



CAUTION
RISK OF ELECTRIC SHOCK

The FXLD618FRP214 has a blue turn and lock connector for power input. A compatible power cable is provided for connection to a 120 VAC, 15 Amp, 60Hz, grounded service. Push the blue connector on the cable straight into the blue connector on the unit and twist approx. 1/8 turn clockwise to latch it.

THE SAFETY GROUND TERMINAL ON THE POWER CABLE MUST BE USED.



DMX CONNECTIONS

A system using DMX control should be connected as a chain of devices. In other words the control signal cable should proceed from the controller to the first receiving device and then to others in a continuous "daisy chain" fashion.

The fixture has a DMX IN and a DMX OUT connector to be used to connect the chain. The control cable should NOT be split into a multiple run star arrangement with a cable running from the controller directly to each receiving device pack.

DMX CONNECTOR PIN ASSIGNMENTS

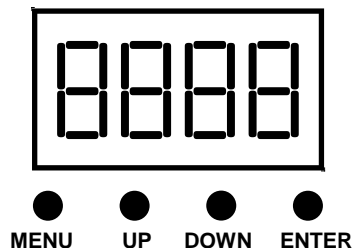
There are two different connectors which can be used for DMX control. They are both XLR type connectors. This unit uses both 3 and 5 pin XLR type connectors. The FXLD618FRP2I4 receives a DMX signal on either the 3 or 5 pin MALE connector on one side of the unit. Both the 3 and 5 pin FEMALE connectors are used to connect the next DMX device on the control chain.

DMX TERMINATION

A DMX chain should be terminated at the last receiving device on the chain. This is done by installing a commonly available 1/4 Watt, 120 Ohm resistor across the DATA - and DATA + wires at the last device. If you have only a few fixtures very close together and a very short run to the controller then you may be able to operate without the terminator.

OPERATION

A control panel on one side of the unit is used to set the operating options. It consists of an LED display and four buttons (MENU, UP, DOWN, and ENTER)

CONTROL PANEL

Push MENU to access the operating options. Then use UP and DOWN to scroll through the available choices. When you reach the option you want to set or change - push ENTER. Now you can view the current setting for the option and/or change it. Push ENTER to save your changes and activate the option. See the "MENU NAVIGATION" diagram for additional details.

There are 7 operation modes: DMX, Warm White Level, Cool White Level, Strobe, Fade, Auto Sequence, and Auto Run.

DMX OPERATION

Use the **Addr** menu to set the starting address of the unit. You can set the starting address of the unit with the UP and DOWN buttons.

For DMX operation the FXLD618FRP2I4 fixture can be configured as a 1 channel, 2 channel, 3 channel, 4 channel, or 5 channel unit.

Set the CH - - menu to P001 (1 channel), A001(2 channel), F001(3 channel), d001(4 channel), or H001(5 channel).

Detailed information on DMX channel operation is given in the tables DMX VALUES AND FUNCTIONS.

MANUAL OPERATION

For manual operation the warm white and cool white levels may be independently set. Use the uL - - - for warm white, and EL - - - for cool white. Use these menus to set the desired color levels. The range is from 000 to 100. 000 is OFF.

STROBE MODE (FLAS)

The Strobe mode causes the unit to flash all led's. The speed is user controllable by using the FLAS menu. The speed range is 000 - 100. 000 is off 100 is fastest.

AUTO FADE (FADE)

The Auto Fade mode cycles smoothly through a sequence of seven colors. Use the FADE menu to set the speed and activate the option. The range is from 000 to 100. 000 is off and 100 is fastest.

DELAY MODE (dELy)

The delay mode slows down the commands that are given to the light with or without DMX present. Use the dELy to set the delay speed and active the option. The range is from 0 to 3. 0 is off and 3 is the longest delay.

AUTO SEQUENCE (ASC -)

The AUTO SEQUENCE mode switches continuously through a sequence of colors. Use the ASC - menu to set the sequence speed. The range is from 000 to 100. 100 is fastest.

AUTO RUN (Auto)

The unit can operate using 100 preset programs. Programs 0 thru 49 are a variety of colors and patterns. Use the Auto menu to select and activate a preset auto run program.

MAINTENANCE AND REPAIR



CAUTION DO NOT OPEN UNIT
RISK OF ELECTRIC SHOCK
RISK OF FIRE

TROUBLESHOOTING

Check that you have power applied to the unit.

Check the DMX control cable.

Check the address settings of the unit and the controller.

CLEANING

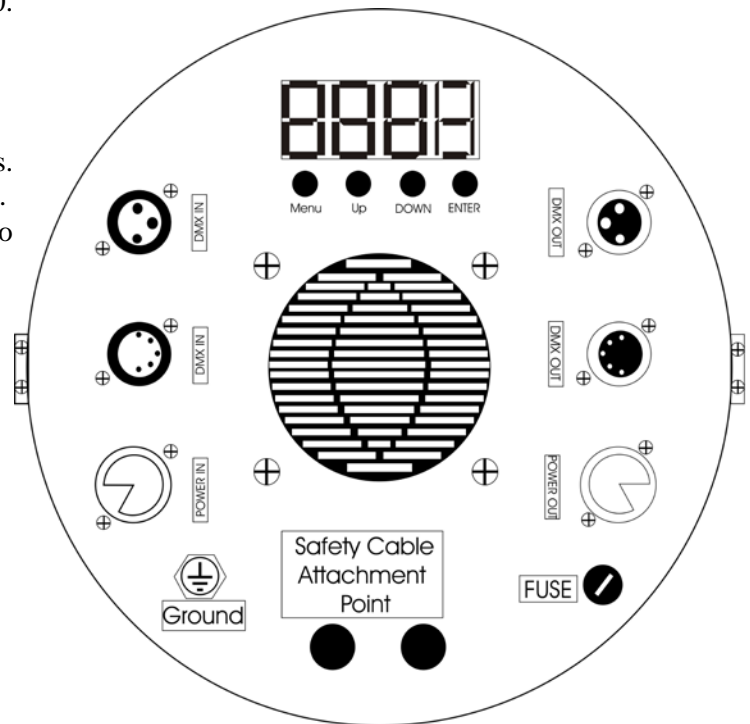
Do not use harsh chemicals or solvents when cleaning the fixture. A mild detergent can be used sparingly if needed. Ensure that the unit is completely dry before re-use.

REPAIR

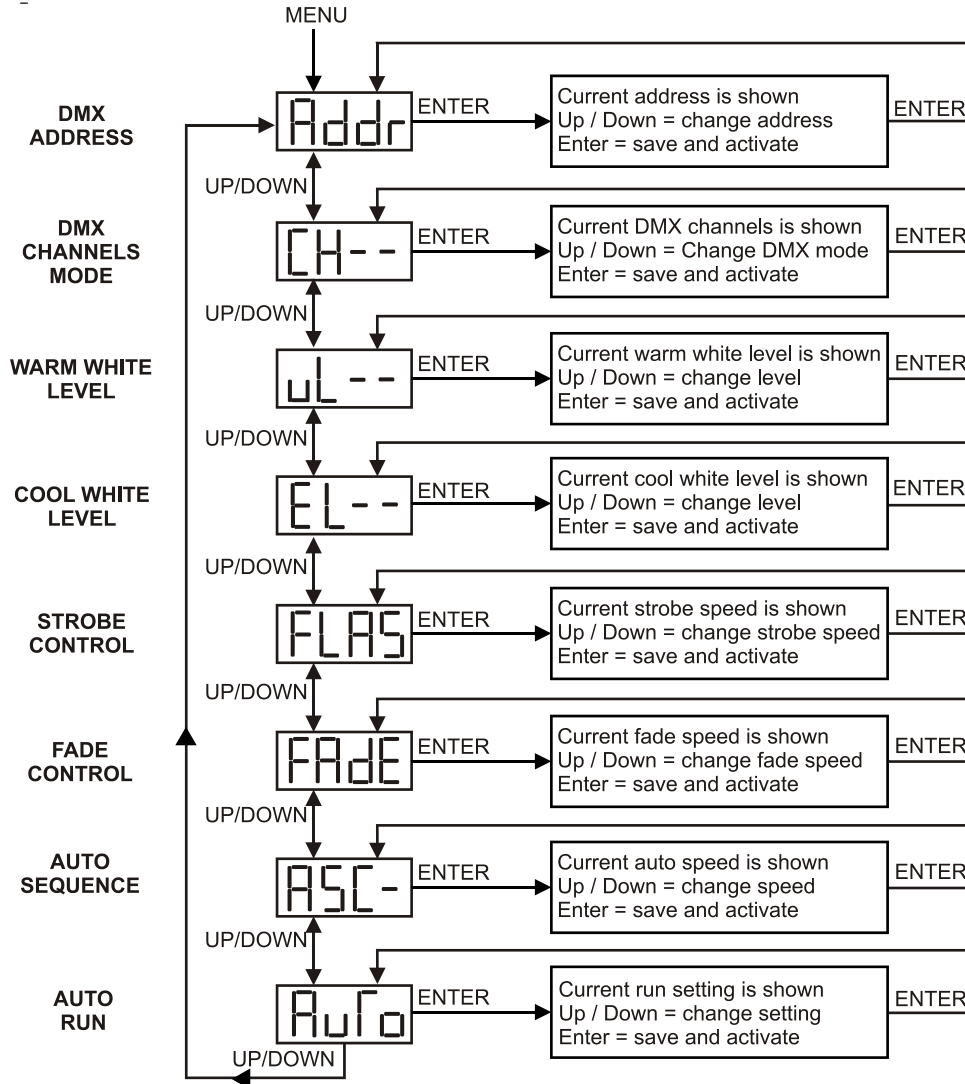
The fixture contains a 2 Amp 250VAC, fast acting, 5mm x 20mm externally accessible fuse. Replace the fuse **ONLY** with the same size and type.

The FXLD618FRP214 does not contain any other user serviceable parts. Internal service on the unit by other than Lightronics authorized agents will void the warranty.

If service is required, contact the dealer from whom you purchased the item, or contact the Lightronics, Service Department, 509 Central Drive, Virginia Beach, VA 23454. Tel: 757 486 3588.



MENU NAVIGATION



DMX VALUES AND FUNCTIONS

1 CHANNEL MODE (MODE P)

CHANNEL NO.	FUNCTION
1	0 - 255 Master Dimmer

2 CHANNEL MODE (MODE A)

CHANNEL NO.	FUNCTION
1	0 - 255 Warm White Level
2	0 - 255 Cool White Level

3 CHANNEL MODE (MODE F)

CHANNEL NO.	FUNCTION
1	Master Dimmer
2	0 - 255 Warm White Level
3	0 - 255 Cool White Level

4 CHANNEL MODE (MODE D)

CHANNEL NO.	FUNCTION
1	Master Dimmer
2	Strobe Control
3	0 - 255 Warm White Level
4	0 - 255 Cool White Level

5 CHANNEL MODE (MODE H)

CHANNEL NO.	FUNCTION
1	Master Dimmer
2	Strobe Control
3	0 - 255 Warm White Level
4	0 - 255 Cool White Level
5	0 - 255 Color Temperature

The banner features the Lightronics logo on both sides, which consists of the word "LIGHTRONICS" in a sans-serif font with a stylized "O" containing a circular element. In the center, the word "WARRANTY" is written in a large, bold, white, sans-serif font on a dark grey rectangular background.

LIGHTRONICS **WARRANTY** LIGHTRONICS

This product is warranted for a period of TWO YEARS from the date of purchase against defects in materials and workmanship.

This warranty is subject to the following restrictions and conditions:

- A) If service is required, you may be asked to provide proof of purchase from an authorized Lightronics dealer.
- B) This warranty is valid only for the original purchaser of the unit.
- C) This warranty does not apply to damage resulting from abuse, misuse, accidents, shipping, and repairs or modifications by anyone other than an authorized Lightronics service representative.
- D) This warranty is void if the serial number is removed, altered or defaced.
- E) This warranty does not cover loss or damage, direct or indirect arising from the use or inability to use this product.
- F) Lightronics reserves the right to make any changes, modifications, or updates as deemed appropriate by Lightronics to products returned for service. Such changes may be made without prior notification to the user and without incurring any responsibility or liability for modifications or changes to equipment previously supplied. Lightronics is not responsible for supplying new equipment in accordance with any earlier specifications.
- G) This warranty is the only warranty either expressed, implied, or statutory, upon which the equipment is purchased. No representatives, dealers or any of their agents are authorized to make any warranties, guarantees, or representations other than expressly stated herein.
- H) This warranty does not cover the cost of shipping products to or from Lightronics for service.
- I) Lightronics Inc. reserves the right to make changes as deemed necessary to this warranty without prior notification.