

**DESCRIPTION**

The WSRFX is a compact RF receiver unit which can receive a USITT DMX-512 lighting control signal from a compatible wireless DMX transmitter or wireless equipped DMX lighting console. The received DMX signal is available on a standard DMX 5 pin Female XLR connector for a connection to a normal wired DMX system. The WSRFX is supplied with a UL listed external power supply and an antenna.

The WSRFX operates with a single specific compatible wireless DMX transmitter or console at a time. Receiver units get the same information they would get using a cable connected to a DMX lighting console. Multiple WSRFX receivers may be operated with a single transmitter or console.

The wireless system uses the 2.45 GHz band and operates at low power (< 100mW). The operating range is approximately 1400 ft. indoors and about 4000 ft. for outdoor operation. This range could vary significantly depending on the surrounding conditions.

A link between one or more WSRFX receivers and one compatible transmitter unit is invoked to enable wireless operation. The linking operation is performed at the transmitter. Once linked, the receiving units can operate ONLY with that specific transmitter. The link is retained even when the receiver and/or transmitter are powered off. Receiver units may be released from the link either at the transmitter or at the receiver. If released at the transmitter then ALL linked receivers will be released. If unlinked at the receiver then ONLY that receiver will be released.

**INSTALLATION****POWER CONNECTION**

The WSRFX is powered by an external 120VAC power supply which provides 13VAC at 700mA to the unit. It can be powered by another source if it meets the requirements marked on the WSRFX. The power connector on the unit is a 2.1mm male plug.

Connect the main body of the power supply to any convenient 120VAC outlet. Then connect the 2.1mm plug to the WSRFX.

**ANTENNA CONNECTION**

Carefully thread the antenna on the gold antenna connector on one end of the unit. It should be finger tight only. The connectors can be damaged or jammed if too tight. The antenna will swivel to a convenient orientation while connected.

**DMX OUTPUT CONNECTION**

Connect the DMX signal cable to the 5 Pin Female XLR connector on the end of the WSRFX.

Connect the other end of the cable to a normal DMX Dimmer or dimmer chain.

DMX CONNECTOR PIN NUMBER	SIGNAL NAME
1	DMX COMMON
2	DMX DATA -
3	DMX DATA +
4	NOT USED
5	NOT USED

**OPERATION****LINK CONTROL BUTTON**

This pushbutton switch is used to release the link with its current transmitter.

**STATUS INDICATOR LED**

The indicator shows the status of the unit as follows:

OFF.....NO POWER OR NOT LINKED  
SLOW FLASH.....NO DMX  
FAST FLASH.....LINKING IN PROGRESS  
ON.....LINKED and RECEIVING DMX

**LINKING RECEIVERS**

Links are always performed at the transmitter. Links will not be established with receivers already linked to another transmitter device.

You should begin by unlinking the receiver at the receiver itself since it could be linked to a transmitter other than the one you have.

At the transmitter - Push the link control button once (do not hold down). The indicator LED will go to fast flash for about 10 seconds. It will then go to an ON state.

The link indicator on the WSRXF receiver will also go to fast flash and may continue this for several more seconds after the transmitters indicator goes to ON. The link indicator on the receiver will go to an ON state when the link is stable.

**UNLINKING A SINGLE RECEIVER**

At the receiver - Hold the link control button down for about 5 seconds.

The receiver indicator LED will go OFF showing that no link is active.

**UNLINKING ALL RECEIVERS AT THE TRANSMITTER**

At the transmitter - Hold down the link control button down for about 5 seconds.

The transmitter indicator LED will go to slow flash showing that no links are active.

The receiver unit(s) status indicator will go OFF.

Note that receivers linked to a different transmitter will not be released.

**MAINTENANCE AND REPAIR**

**OWNER MAINTENANCE**

There are no user serviceable parts in the unit. Service by other than Lightronics authorized agents will void your warranty.

**CLEANING**

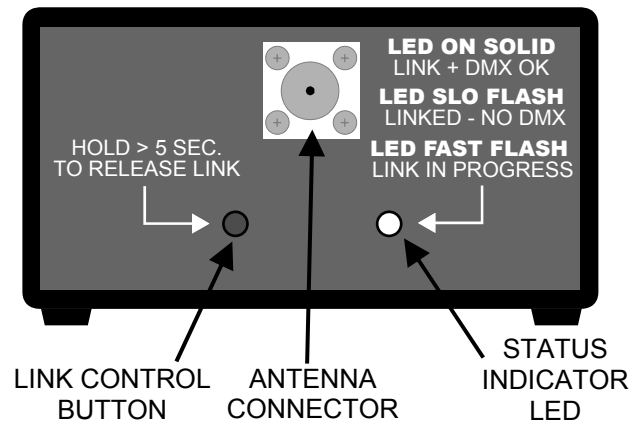
The unit exterior may be cleaned using a soft cloth dampened with a mild detergent/water mixture. DO NOT IMMERSE the unit in any liquid or allow liquid to get into the controls. DO NOT USE any solvent based or abrasive cleaners on the unit.

**OPERATING AND MAINTENANCE ASSISTANCE**

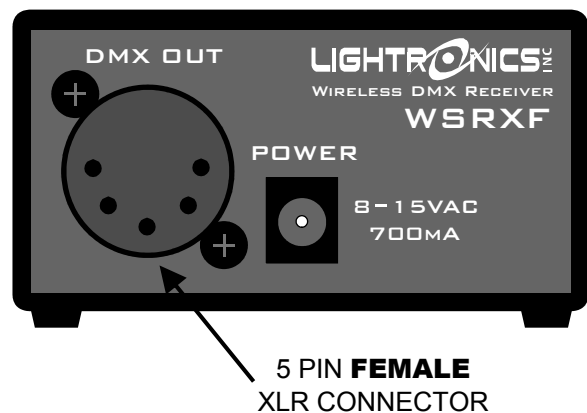
Dealer and Lightronics Factory personnel can help you with operation or maintenance problems. Please read the applicable parts of this manual before calling for assistance.

If service is required - contact the dealer from whom you purchased the unit or contact Lightronics, Service Dept., 509 Central Drive, Virginia Beach, VA 23454 TEL: (757) 486-3588.

**FRONT VIEW**



**REAR VIEW**





LIGHTRONICS INC

# WARRANTY

LIGHTRONICS INC



All Lightronics products are warranted for a period of TWO/FIVE YEARS from the date of purchase against defects in materials and workmanship.

---

This warranty is subject to the following restrictions and conditions:

- A) If service is required, you may be asked to provide proof of purchase from an authorized Lightronics dealer.
- B) The FIVE YEAR WARRANTY is only valid if the warranty card is returned to Lightronics accompanied with a copy of the original receipt of purchase within 30 DAYS of the purchase date, if not then the TWO YEAR WARRANTY applies. Warranty is valid only for the original purchaser of the unit.
- C) This warranty does not apply to damage resulting from abuse, misuse, accidents, shipping, and repairs or modifications by anyone other than an authorized Lightronics service representative.
- D) This warranty is void if the serial number is removed, altered or defaced.
- E) This warranty does not cover loss or damage, direct or indirect arising from the use or inability to use this product.
- F) Lightronics reserves the right to make any changes, modifications, or updates as deemed appropriate by Lightronics to products returned for service. Such changes may be made without prior notification to the user and without incurring any responsibility or liability for modifications or changes to equipment previously supplied. Lightronics is not responsible for supplying new equipment in accordance with any earlier specifications.
- G) This warranty is the only warranty either expressed, implied, or statutory, upon which the equipment is purchased. No representatives, dealers or any of their agents are authorized to make any warranties, guarantees, or representations other than expressly stated herein.
- H) This warranty does not cover the cost of shipping products to or from Lightronics for service.
- I) Lightronics Inc. reserves the right to make changes as deemed necessary to this warranty without prior notification.

